

CHEVROLET 

إكسپرس 2024

EXPRESS 2024

CHEVROLET 



CHEVROLETARABIA.COM

CHEVROLETARABIA.COM



CHEVROLET EXPRESS

Choose 2024 Chevrolet Express as go-to business vehicle & get unmatched power, durability, and technology all within body-on-frame construction.

Due to global Semi-Conductor supply shortages, GM vehicles may not have some standard features and options. Please check with your local Chevrolet dealer to confirm the vehicle's specifications prior to purchase. Vehicles not equipped with Automatic Stop/Start will be less fuel efficient.



TOW YOUR OWN WAY.

EXTERIOR DESIGN



EXPRESS CARGO VAN.

If you're looking for a vehicle that is both reliable and roomy, Chevrolet Express 2500 and 3500 Cargo Vans provide a sizeable space for your needs.

The muscle-bound Vortec 6.6L V8 401hp (net) engine and heavy-duty eight-speed automatic transmission provide all the power. The vast interior capacity

is built to carry tremendous amounts of cargo. A maximum 1,855 kg payload capacity, four-wheel disc brakes with ABS, standard StabiliTrak™ and power

steering all ensure that even though the work is demanding the drive is not.

EXTERIOR DESIGN



EXPRESS COMMERCIAL CUTAWAY.

For more demanding tasks that require more space for equipment, look no further than the Chevrolet Express Commercial Cutaway. It features the

superb Vortec 6.6L V8 (401hp) (net) engine, high-capacity payload accommodations, and a strong full-length ladder-type frame. Also sticking to

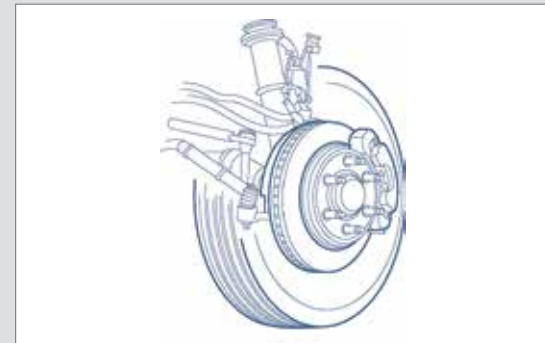
the task at hand: the eight-speed automatic transmission with Tow/Haul mode, ABS disc brakes on all four wheels, standard StabiliTrak™ and power

steering. The independent front suspension is designed to provide a comfortable ride, and the large capacity fuel tank means you can enjoy it for as long as is needed.



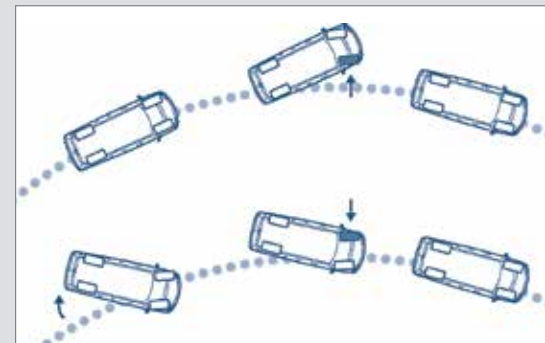
SURGE AHEAD WITH A POWERFUL VORTEC ENGINE

The powerful Vortec 6.6L, V8 Engine with Direct Injection and Variable Valve Timing, gasoline generating 401 hp and 629 N-m net torque at 4000 rpm.



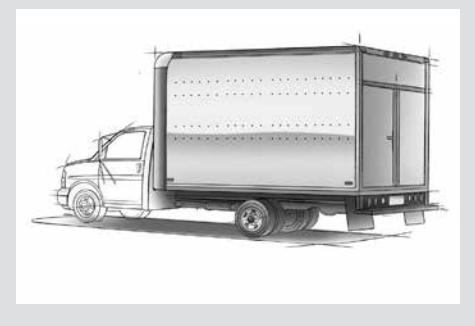
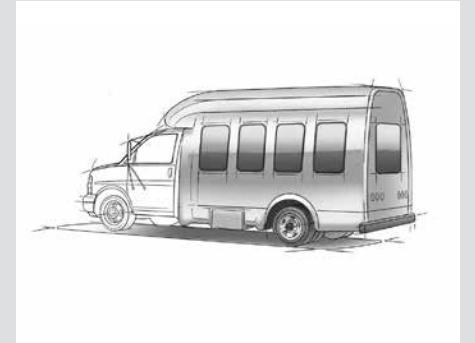
DISC BRAKES WITH ABS

The standard 4-wheel anti-lock brake system (ABS) helps maintain steering control during hard braking while the four vented discs offer impressive braking power.



STABILITRAK™ - AN EXCLUSIVE ENGINEERING MARVEL

It's advanced engineering that helps your Express respond more accurately to your steering commands. It uses sensors to read the position of your steering wheel, vehicle speed, brake pressure, lateral acceleration and turning rate to help keep you on track.



INTERIOR DESIGN



BIG WHERE IT COUNTS.

The versatile and spacious interior of the Chevrolet Express is designed to hold tools, cargo and machinery. So not matter what the requirement, the Express will suit your need.

SHARE THE LOAD.

The Express boasts vast storage and cargo carrying capacity for any load.



PERFORMANCE

SURGING AHEAD.

The Express with its Vortec 6.6 L V8 401hp (net) engine offers driveability and a fuel efficiency, generating 299kW (401hp) (net) and 629Nm net torque at 4000rpm.*

GMNA affidavit



GOOD FOR BUSINESS.

Think of the Express as a mechanical work-horse that delivers on its duty.

IMPRESSIVE PERFORMANCE.

The 6.6L engine has considerable power that takes the planet into consideration too.

SAFETY



WELLNESS WAREHOUSE ON WHEELS.

With its advanced safety and stability features, the Express keeps you and your cargo in great condition.

SAFETY IN MOTION.

The high-strength steel of the safety cage creates a cocoon of protection around the driver and what's being delivered.

Safety features are no substitute for the driver's responsibility to operate the vehicle in a safe manner. The driver should remain attentive to traffic, surroundings and road conditions at all times. Read the Owner's Manual for more important safety information.

Always use safety belts and the correct child restraint for your child's age and size, even with air bags. Even in vehicles equipped with the Passenger Sensing System, children are safer when properly secured in a rear seat in the appropriate infant, child or booster seat. Never place a rear-facing infant restraint in the front seat of any vehicle equipped with an active frontal air bag. See the Owner's Manual and the child safety seat instructions for more safety information.

Air bag inflation can cause severe injury or death to anyone too close to the air bag when it deploys. Be sure every occupant is properly restrained with seat belts. See the Owner's Manual for more air bag information.

BECAUSE YOU'RE CARRYING MORE THAN CARGO.

STABILITRAK™ - AN EXCLUSIVE ENGINEERING MARVEL.

Advanced engineering, coupled with technological characteristics like the StabiliTrak™ Electronic Stability Control System, work in harmony to help prevent collisions — and help protect you if you're in one. It's optimal safety before, during

and after a crash. StabiliTrak™ uses sensors to read the position of your steering wheel, vehicle speed, brake pressure, lateral acceleration and turning rate to help keep you on track.

PURE STOPPING POWER.

The standard antilock braking system (ABS) helps maintain steering control during hard braking, while the four vented discs offer impressive braking power. When you apply the brakes, the sensors detect a wheel lock and will quickly release

braking pressure, then return braking pressure to normal. This keeps the vehicle from skidding, which keeps you in control at all times.

SPECIFICATIONS : EXPRESS CARGO VANS

● STANDARD ○ AVAILABLE — NOT AVAILABLE

KEY FEATURES	WORK VAN
Remote vehicle starter system	○
Air bags, driver and right-front passenger	●
Power steering	●
Console, base, includes open storage bin	●
Console, engine cover, includes swing-out storage bin	○
Outside temprature display in DIC	○
Air conditioning, front manual	●
Air conditioning, rear	○
8-point digital compass in Driver Information Center	○
Power windows, Door locks	●
Tilt-wheel and cruise control	○
Keyless entry	○
Steering wheel, leather-wrapped, with mounted controls available	○
Audio system, AM/FM stereo with MP3 player, seek-and-scan, digital clock and 2 front-door speakers	●
16" x 6.5" wheels	●
Rear Parking Assist	○
Rear view mirror with standard rear vision camera	●
Side blind zone alert	○

* Gross vehicle weight rating.

** Maximum payload capacity includes weight of driver, passengers, optional equipment and cargo.

*** Check availability with your dealer.

Chevrolet reserves the right to change the specifications and colors of any models and items shown in this catalogue at any time. It is important to check with your local Chevrolet Dealer for the latest information on models available for order in your market.

SPECIFICATIONS : EXPRESS CARGO VANS

● STANDARD ○ AVAILABLE — NOT AVAILABLE

CHASSIS FEATURES	WORK VAN
Engine: Vortec 6.6L V8 with 401hp (net) @ 5,200 rpm	●
Net torque: 464lb-ft (629Nm) @ 4,000 rpm	●
Transmission: 8-speed, heavy-duty, electronically controlled with overdrive	●
Brakes: 4-wheel anti-lock, with front and rear disc	●

EXTERIOR DIMENSIONS	WORK VAN			
	2500	2500 EXT	3500	3500 EXT
Wheelbase (mm)	3,433	3,941	3,433	3,941
Overall length (mm)	5,691	6,199	5,691	6,199
Body width (mm)	2,013	2,013	2,013	2,013
Overall height (mm)	2,153	2,140	2,153	2,140

CAPACITIES	WORK VAN			
	2500	2500 EXT	3500	3500 EXT
GVWR* (kg)	3,901	3,901	4,355	4,491
Curb weight (kg)	2,489	2,610	2,510	2,611
Payload** (kg)	1,388	1,266	1,819	1,855
Fuel capacity (L)	117	117	117	117
Cargo volume, behind 1st row seat (L)	6,779.8	8,031.6	6,779.8	8,031.6
Seating capacity (front)	2	2	2	2

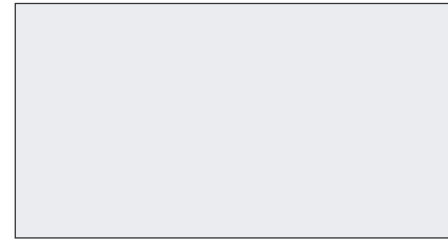
* Gross vehicle weight rating.

** Maximum payload capacity includes weight of driver, passengers, optional equipment and cargo.

*** Check availability with your dealer.

Chevrolet reserves the right to change the specifications and colors of any models and items shown in this catalogue at any time. It is important to check with your local Chevrolet Dealer for the latest information on models available for order in your market.

SPECIFICATIONS : EXPRESS CARGO VANS (EXTERIOR COLORS)



SILVER ICE METALLIC



BLACK



SUMMIT WHITE



RED HOT

- * Gross vehicle weight rating.
- ** Maximum payload capacity includes weight of driver, passengers, optional equipment and cargo.
- *** Check availability with your dealer.

SPECIFICATIONS : EXPRESS CARGO VANS

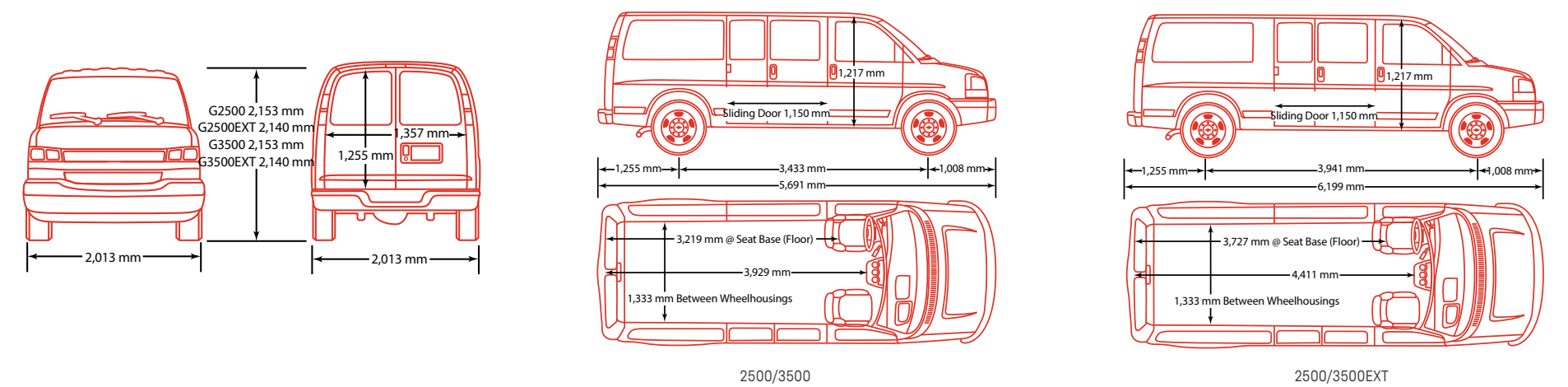
● STANDARD ○ AVAILABLE — NOT AVAILABLE

COLOR COMBINATIONS

EXTERIOR COLORS	NEUTRAL	MEDIUM PEWTER
Black	○	○
Summit White	○	○
Red Hot	○	○
Silver Ice Metallic	○	○

Chevrolet reserves the right to change the specifications and colors of any models and items shown in this catalogue at any time. It is important to check with your local Chevrolet Dealer for the latest information on models available for order in your market.

DIMENSIONS : EXPRESS CARGO VANS



2500/3500

2500/3500EXT

SPECIFICATIONS : EXPRESS COMMERCIAL CUTAWAY

● STANDARD ○ AVAILABLE — NOT AVAILABLE

KEY FEATURES	WORK VAN
Airbags, frontal, driver and right-front passenger	●
Airbags, seat-mounted side-impact for driver and right-front passenger and roof-rail mounted head-curtain	●
Power steering	●
Console, engine cover, includes swing-out storage bin	○
Air conditioning, front manual	●
Power windows and door locks	○
Tilt-wheel and cruise control	○
Audio system, AM/FM stereo with MP3 player, seek-and-scan, digital clock and 2 front door speakers	●
Audio system, AM/FM stereo with MP3 player and USB port, includes seek-and-scan, digital clock, TheftLock, random select, auxiliary jacks and 2 front door speakers	○
Wheels 16" x 6.5" (40.6 cm x 16.5 cm), steel painted Gray	●
Rear view mirror with standard rear vision camera	●

* Gross vehicle weight rating.

** Maximum payload capacity includes weight of driver, passengers, optional equipment and cargo.

*** Check availability with your dealer.

Chevrolet reserves the right to change the specifications and colors of any models and items shown in this catalogue at any time. It is important to check with your local Chevrolet Dealer for the latest information on models available for order in your market.

SPECIFICATIONS : EXPRESS COMMERCIAL CUTAWAY

EXTERIOR DIMENSIONS	3500
Wheelbase (mm)	3,531
Overall length (mm)	6,278
Body width (mm)	2,013
Overall height (mm)	2,132

CAPACITIES	3500
GVWR* (kg)	4,354
Curb weight (kg)	2,106
Payload** (kg)	2,223
Fuel capacity (L)	125
Seating capacity (front)	2

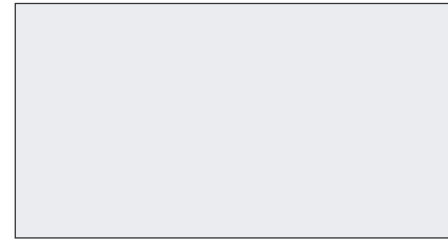
* Gross vehicle weight rating.

** Maximum payload capacity includes weight of driver, passengers, optional equipment and cargo.

*** Check availability with your dealer.

Chevrolet reserves the right to change the specifications and colors of any models and items shown in this catalogue at any time. It is important to check with your local Chevrolet Dealer for the latest information on models available for order in your market.

SPECIFICATIONS : EXPRESS COMMERCIAL CUTAWAY (EXTERIOR COLORS)



SILVER ICE METALLIC



BLACK



SUMMIT WHITE



RED HOT

* Gross vehicle weight rating.
 ** Maximum payload capacity includes weight of driver, passengers, optional equipment and cargo.
 *** Check availability with your dealer.

SPECIFICATIONS : EXPRESS COMMERCIAL CUTAWAY

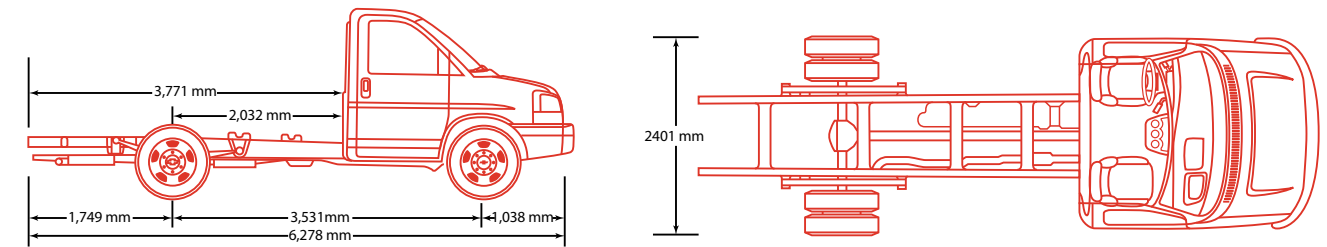
● STANDARD ○ AVAILABLE — NOT AVAILABLE

COLOR COMBINATIONS

EXTERIOR COLORS	NEUTRAL	MEDIUM PEWTER
Black	○	○
Summit White	○	○
Red Hot	○	○
Silver Ice Metallic	○	○

Chevrolet reserves the right to change the specifications and colors of any models and items shown in this catalogue at any time. It is important to check with your local Chevrolet Dealer for the latest information on models available for order in your market.

DIMENSIONS : EXPRESS COMMERCIAL CUTAWAY





COMPLETE CARE



MAINTENANCE APPOINTMENT WITHIN TWO DAYS



ONE-HOUR MAINTENANCE



PARTS AVAILABILITY ACROSS THE REGION



TRANSPARENT PRICING ON COST OF SERVICE



FOUR-YEAR REGIONAL ROADSIDE ASSISTANCE

When you buy a Chevrolet, you don't just take home a new car. You also enjoy the peace of mind that makes driving your Chevrolet a pleasant experience.

MIDDLE EAST VEHICLE TESTING

Every Chevrolet is tested in the region, so we know it can withstand the climate. Then, before launch, we check and double-check every inch of the vehicle for optimal performance. Chevrolet specifically develops many of its features – including its air conditioning, engine cooling systems and paint – to perform in tough conditions. The result is a car you can depend on.

CHEVROLET PARTS

Parts availability across the region: With an extensive regional network, we will endeavor to ensure that you will find spare parts for your Chevrolet no matter where you are.

CHEVROLET CERTIFIED PRE-OWNED VEHICLES

All of our Certified Pre-Owned vehicles come with the confidence of:

- A 110+ point quality inspection
- A minimum 12-month warranty
- 24-hour roadside assistance
- A 7-day exchange option

Terms and conditions apply. Please contact your local Chevrolet dealer for more information.



chevroletarabia